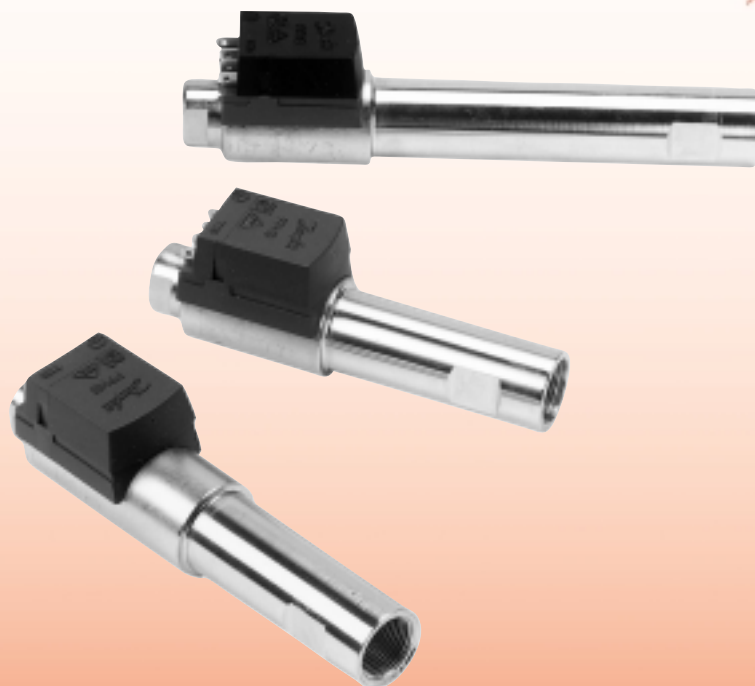


Standard-FPHB Oil preheater



Constant viscosity
Constant nozzle capacity!

Clean combustion
High average annual efficiency!

Greater ignition capability
Better air/oil mixing!

Rapid flame stabilization
Less soot formation!

Closing LE-valve
With built-in and exchangeable hydraulic closing valve, in accordance with EN 264!

Oil preheater type FPHB is used to preheat fuel gasoil with a viscosity of max. 10 mm²/s (cSt). It is available in 3 versions: FPHB 5, FPHB 10 and FPHB-LE

Technical data

Electrical connection	100/264 V 50/60 Hz
Max. pump pressure	30 bar
Medium (measured at 20°C)	Fuel gasoil with viscosity of max. 10 mm ² /s (cSt)
Max. ambient temperature	+105°C
Storage temperature	-20°C - +105°C
Nozzle thread	9/16" – 24 UNEF

Code numbers, standard types

Type	Connection	Neck Ø	PTC element	Thermostat	Code no.
FPHB 5	G½	18.5	1 × 50	60/32	030N2057
	G½	18.2	1 × 50	60/32	030N2058
	M8 × 1	18.5	1 × 70	60/32	030N1201
	G½	18.5	1 × 70	60/32	030N1202
	G½	18.2	1 × 120	73/60	030N1208
	G½	18.2	1 × 70	60/32	030N1218
FPHB 10	M16 × 1**	18.5	1 × 120	60/32	030N1223
	G½	18.5	2 × 120	60/32	030N1220
	G½	18.2	2 × 120	60/32	030N1221
	M8 × 1	18.2	2 × 120	60/32	030N1224
	G½	18.5	2 × 70	60/32	030N1284
FPHB-LE	G½	18.2	2 × 70	60/32	030N2013
	G½	18.5	1 × 70	60/32	030N4101
	G½	18.2	1 × 70	60/32	030N4100

Cable lengths

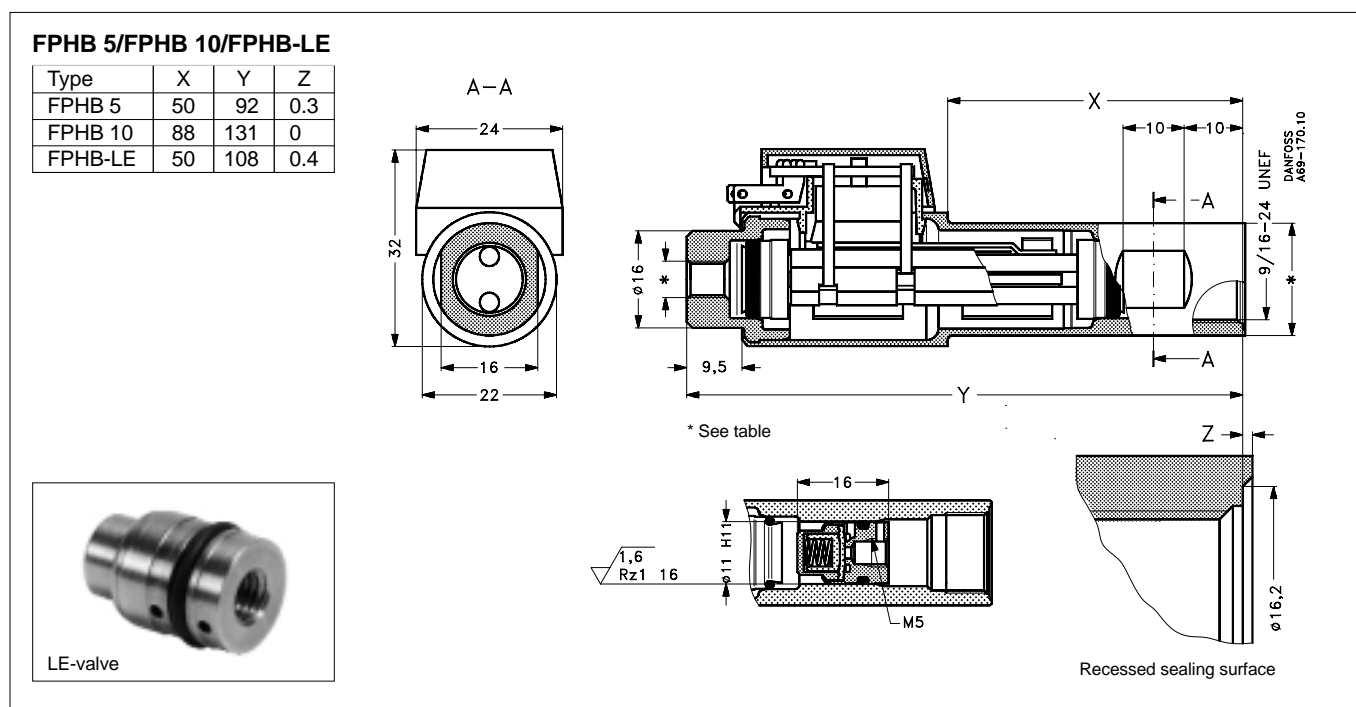
	Lengths	Code no.
Cable with plug	410 mm	030N0041
Cable with plug	510 mm	030N0043
Cable with plug	640 mm	030N0045

Accessories

LE-diaphragm valve	030N4013
Union nut**	030N0341
Gasket**	633L2111

**) M16 × 1

Dimensions



Danfoss can accept no responsibility for possible errors in catalogues, brochures and other printed material. Danfoss reserves the right to alter its products without notice. This also applies to products already on order provided that such alterations can be made without subsequential changes being necessary in specifications already agreed. All trademarks in this material are property of the respective companies. Danfoss and the Danfoss logotype are trademarks of Danfoss A/S. All rights reserved.

Danfoss